

Właz owalny **A12** 480x370 mm

PED 3,0 / 9,0 / 15,0 Bar

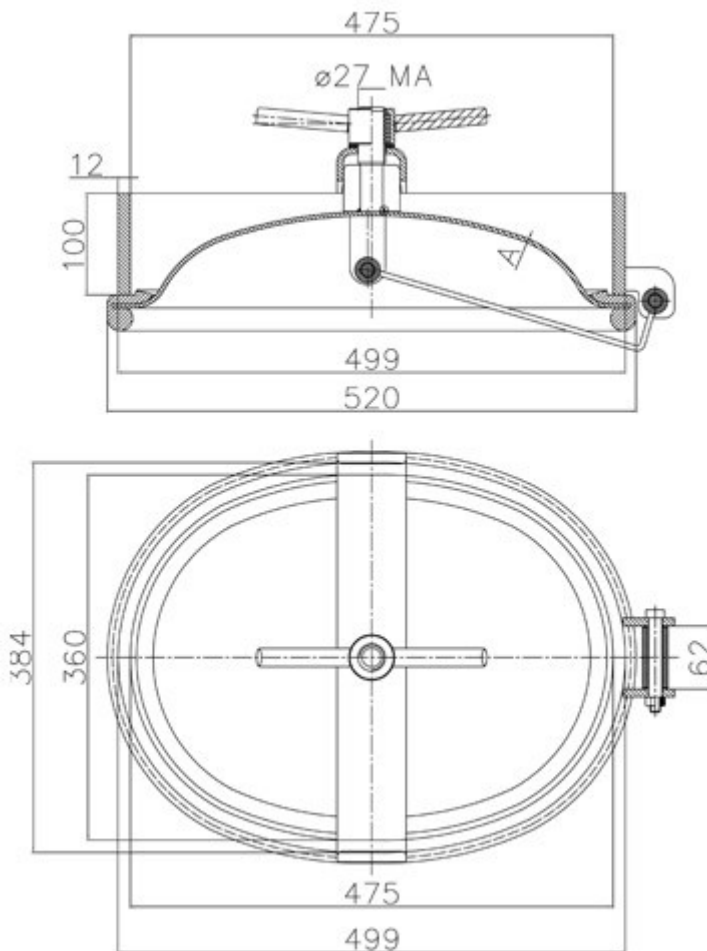
Oval shaped manhole door for pressurized tanks with PED approval fabricated in AISI 304 or AISI 316 stainless steel
- inwardly opening with internal support arm
- access 480 x 370 mm.

Maximum working temperature: -20/+100°C
Standard handwheel: stainless steel handwheel(vlt27rz2011)
Standard gasket: EPDM
Standard surface finish: polished cover/satin frame

Właz owalny do zbiorników ciśnieniowych z PED ze st. alii AISI 304 lub AISI 316
- otwierane do wewnątrz za pomocą wewnętrznego ramienia
- otwór 480 x 370 mm.

Maksymalna temperatura pracy: -20 /+100°C
Standardowe pokrętło ze stali nierdzewnej (vlt27rz2011)
Standardowa uszczelka: EPDM
Standardowe wykończenie powierzchni: pokrywa polerowana / kołnierz satynowany

P.max.	4,0 Bar	9,0 Bar	15,0 Bar
A	4,0 mm	6,0 mm	10,0 mm
Weight	+/-27,0 kg	+/-29,5 kg	+/-37,0 kg



TYPE OF MATERIAL	CODE	CODE
Gasket profile +15 Bar Gasket on the cover		
NATURAL RUBBER	-35°/+90°	GROP480X37003
EPDM	-35°/+110°	GROE480X37006
NITRILE	-15°/+110°	GRON480X37003
SILICON	-35°/+200°	GROS480X37003

TYPE OF MATERIAL	CODE	CODE
Gasket profile +9 Bar Gasket on the cover		
NATURAL RUBBER	-35°/+90°	GROP480X37002
EPDM	-35°/+110°	GROE480X37007
NITRILE	-15°/+110°	GRON480X37002
SILICON	-35°/+200°	GROS480X37002

TYPE OF MATERIAL	CODE	CODE
Gasket profile +4 Bar Gasket on the cover		
NATURAL RUBBER	-35°/+90°	GROP480X37001
EPDM	-35°/+110°	GROE480X37008
NITRILE	-15°/+110°	GRON480X37001
SILICON	-35°/+200°	GROS480X37001